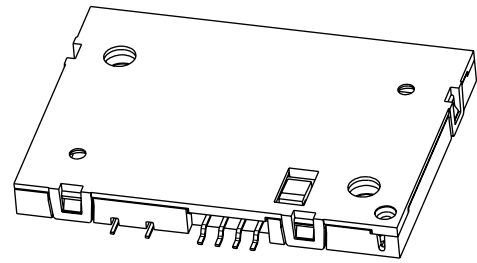
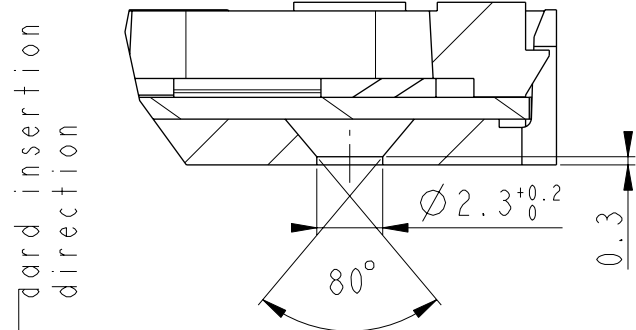




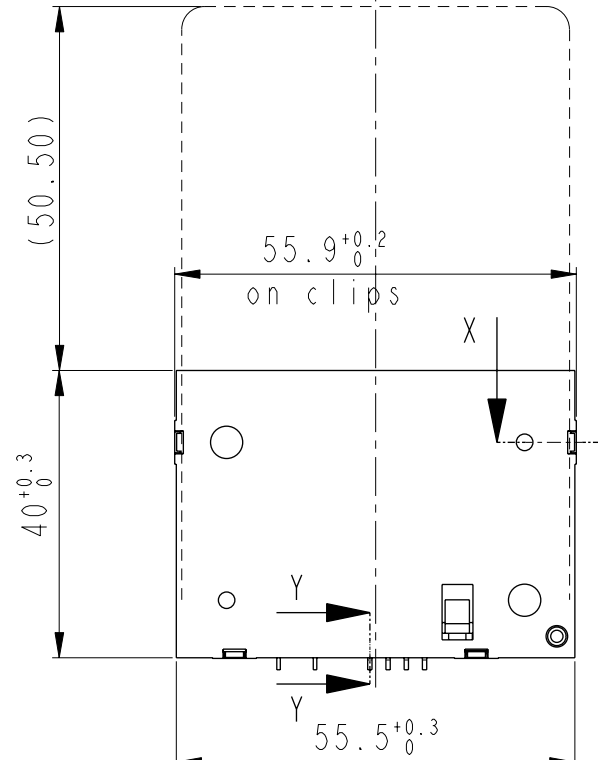
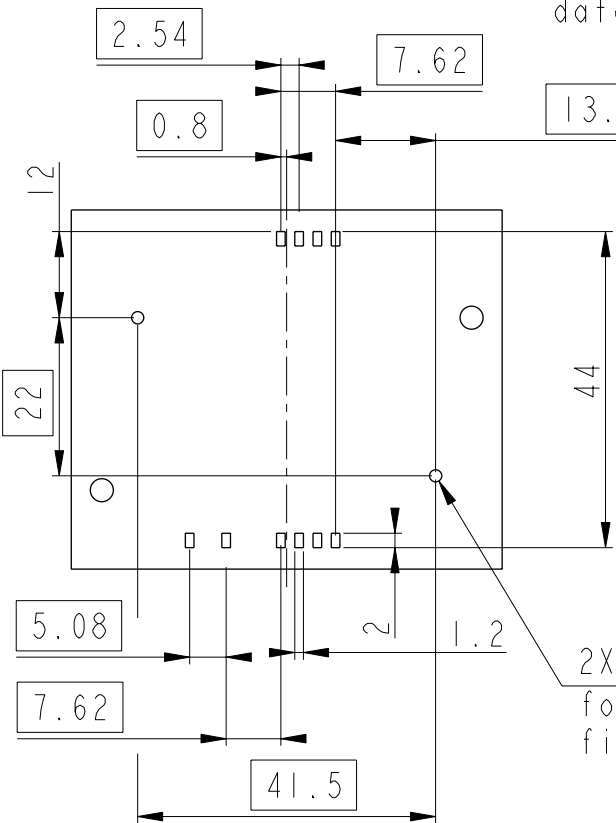
Copyright FCI.



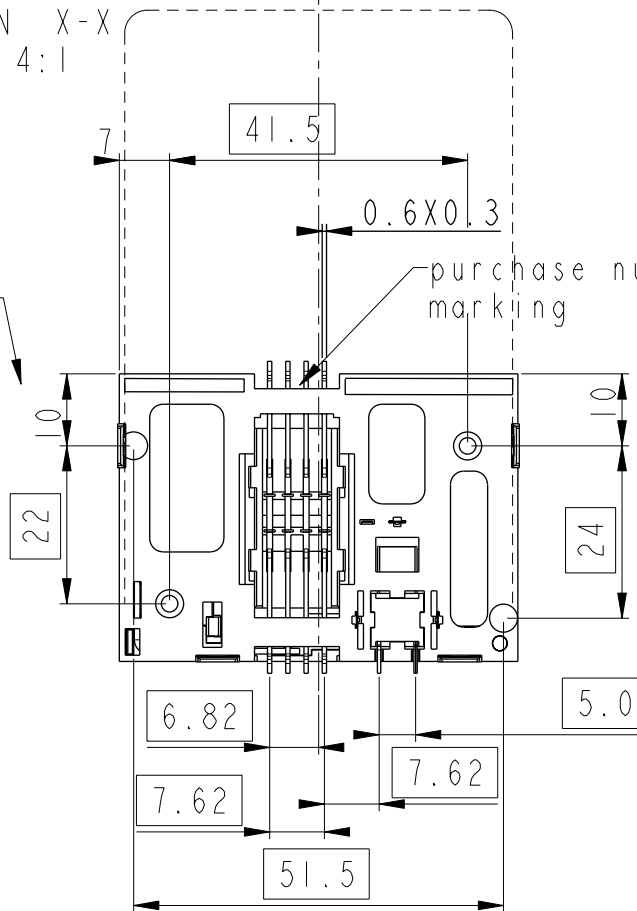
CUT IN LOCK ONLY FOR COVER WITH LCP



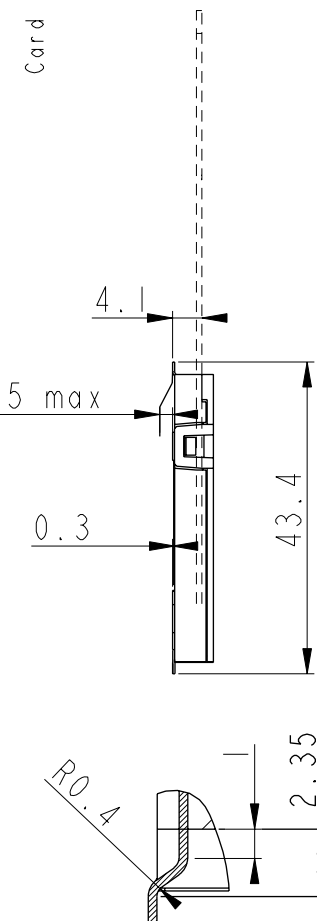
Recommended PCB Layout (Component side)



SECTION X-X SCALE 4:1



SECTION Y-Y SCALE 4:1



GENERAL :
High cycle life duration smart card connector with landing type contacts mechanism. The landing type connector also provides the feature of recessed contacts when card is not inserted which protects them against vandalism.
Smart card for reference purposes only.

ELECTRICAL PROPERTIES:
Insulation resistance : > 1000MΩ
Dielectric withstanding voltage : >750 Vrms
Current carrying capacity : Min 10μA, Max 1A
Contact resistance : < 100mΩ

MECHANICAL PROPERTIES :
Operating force : Insertion : F < 10N
Withdrawal : 1 < F < 10N
Contact Normal force : 0.2 < F < 0.3 for 0.6mm of deflection
Durability : 200 000 mating cycles

MATERIAL :
Head reader : High temp. Thermoplastic, Colour Black, Rated UL94V0
Cover : SEE TABLE, Rated UL94V0
Contacts : Copper alloy,
Plating : 2.5μm Nickel min. all over
2μm Gold min. on contact area
3μm SnPb(60/40) min. on solder tails(for leaded version)
3μm matte tin min. on solder tails(for lead free version)

ENVIRONMENT :
Operating temperature : -40°C / +85°C
Climatic conditions : UTE 93-421

PACKAGING :
Plastic cavity tray

LEAD FREE VERSION:
"This product meets European Union Directives and other country regulations as described in GS-22-008"
The housing will withstand exposure to 260°C peak temperature for 10seconds in a convection reflow oven.

PART NUMBER	COVER MATERIAL	MARKING	LEAD FREE VERSION
7311E0225S01	LCP (BLACK)	NO	7311E0225S01LF
7411E0225S01	PA46(GREY)	YES	7411E0225S01LF
7711E0225S01	LCP (BLACK)	NO	7711E0225S01LF

www.fciconnect.com		surface -- ✓	tolerance std	projection	mm
		ISO 1302	ISO 406 ISO 1101		Scale 1:1
		TOLERANCES UNLESS OTHERWISE SPECIFIED			ECN 108-0103
Dr	D LEGRAND	2002/04/29	ANGULAR	size A3	Spec ref --
Eng	F TISSERAND	2002/04/29	LINEAR		
Chr	S.S.CHERIAN	2008/08/18	0° ±°		
Appr	S.S.CHERIAN	2008/08/18	Product family	MOBILE I/O	
FCI		title 8 POS. SMT E02 WITHOUT PEGS		Rev. H	
		SMART CARD READER VXX 27819		VJW54001	
		catalog no See table		CUSTOMER sheet 1 of 1	

rev	ecn no	dr	date
B	LS3077	MPE	2003/09/17
C	LS3088	MPE	2003/10/13
D	LS3088	MPE	2003/10/16
E	104-0051	DTK	2004/07/17
F	105-0176	NT	2005/09/29
G	106-0078	DTK	2006/06/19
H	108-0103	SSC	2008/08/18

General Tolerances	
0 to 10mm:	±0.1mm
10 to 30mm:	±0.15mm
30 to 60mm:	±0.2mm
60 and more:	±0.3mm